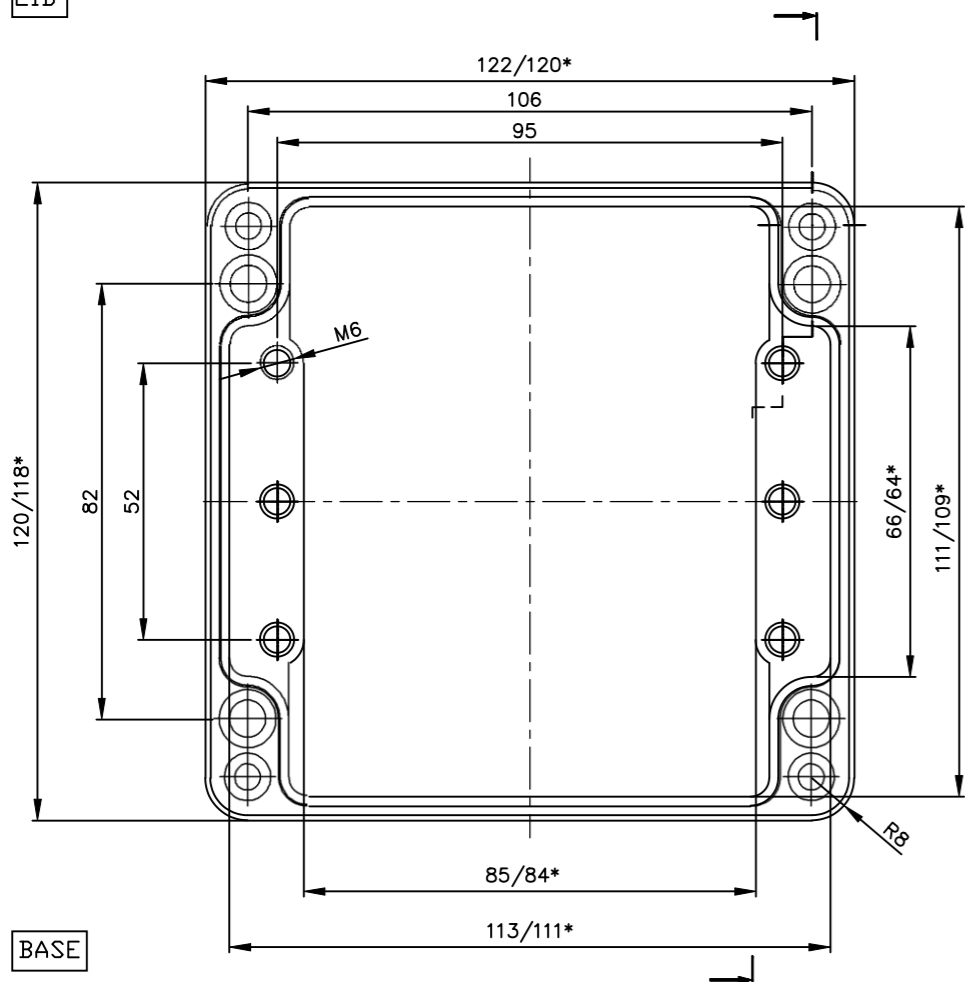
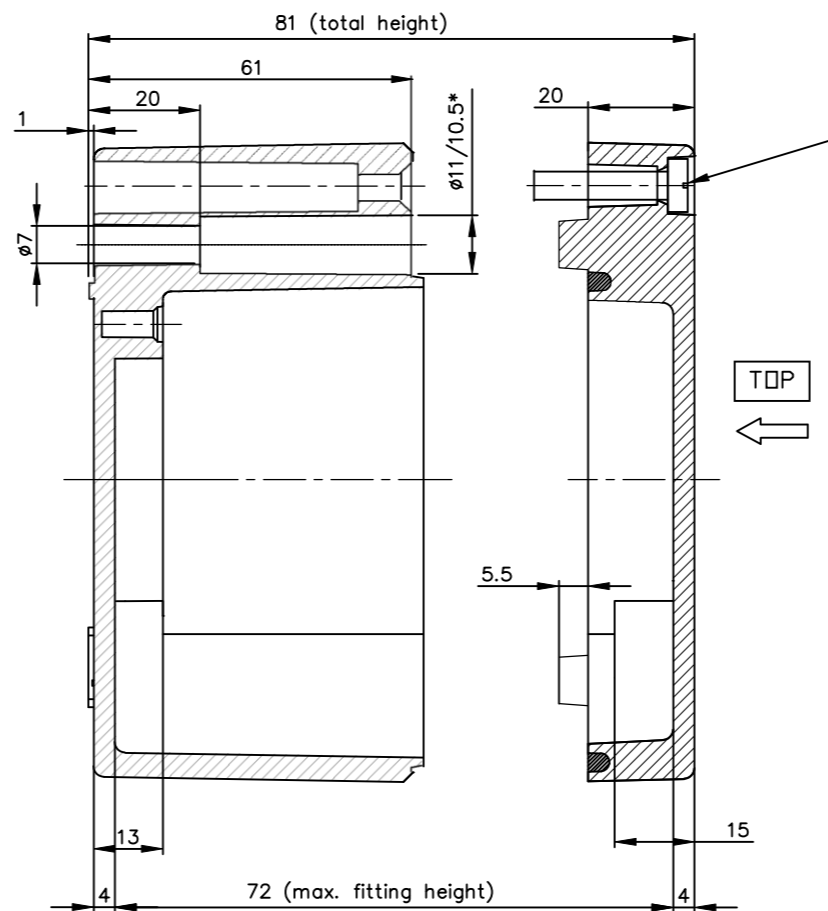
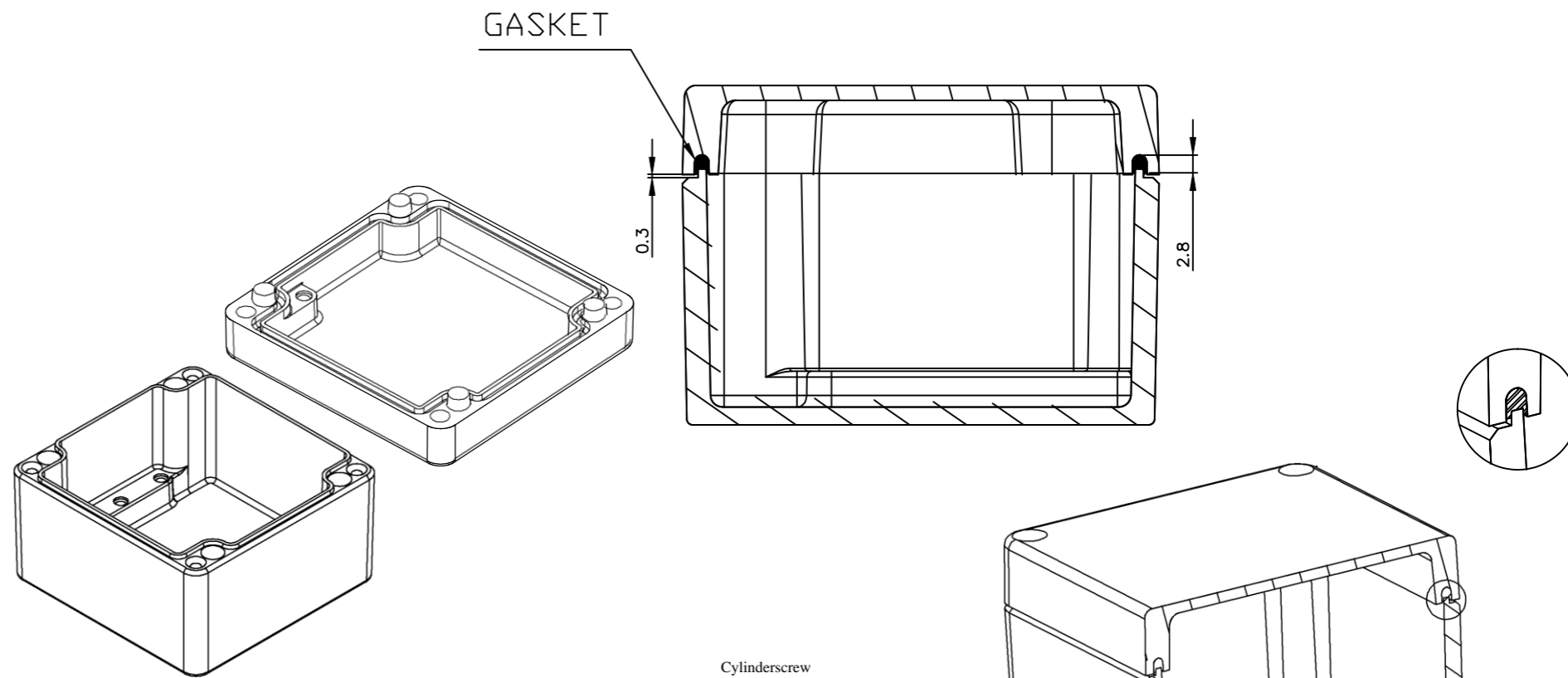


LID



BASE



Cylinderscrew
M6x2510
similar to DIN84

*=Conical form tapering downwards
Free dimensions-tolerance to GTA135DIN1688

ENCLOSURE BOX MEETS THE REQUIREMENTS OF
ISIEC60529:2001
OR
EN60529
FOR IP68 SEVERITY

TOLERANCE		COMPONENT		DRAWN BY	DATE
		ENCLOSURE/BOX			23-08-2013
SCALE		ROUGHNESS		CHECKED BY	DATE
1:1				-	0-0-00
MATERIAL		ALUMINIUM		DRG.N.	
				SH.N.	N.F.SHEETS
				00	00