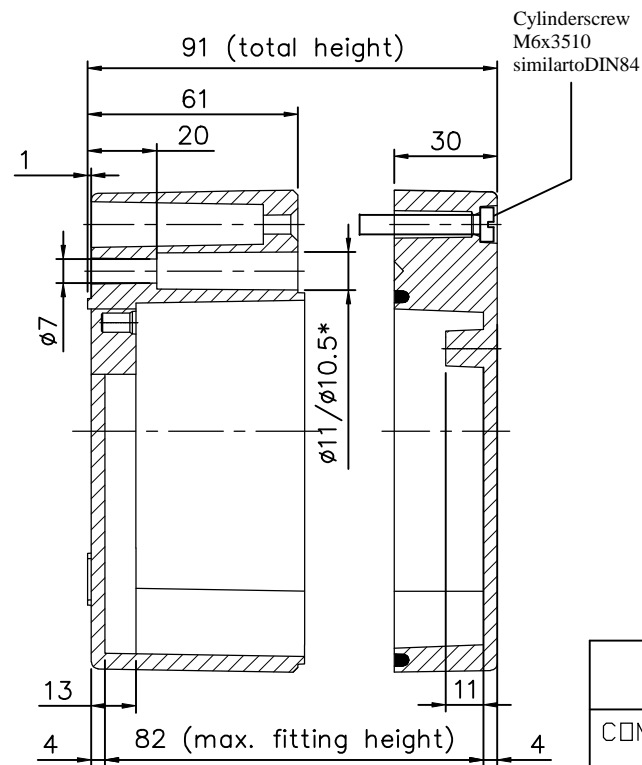
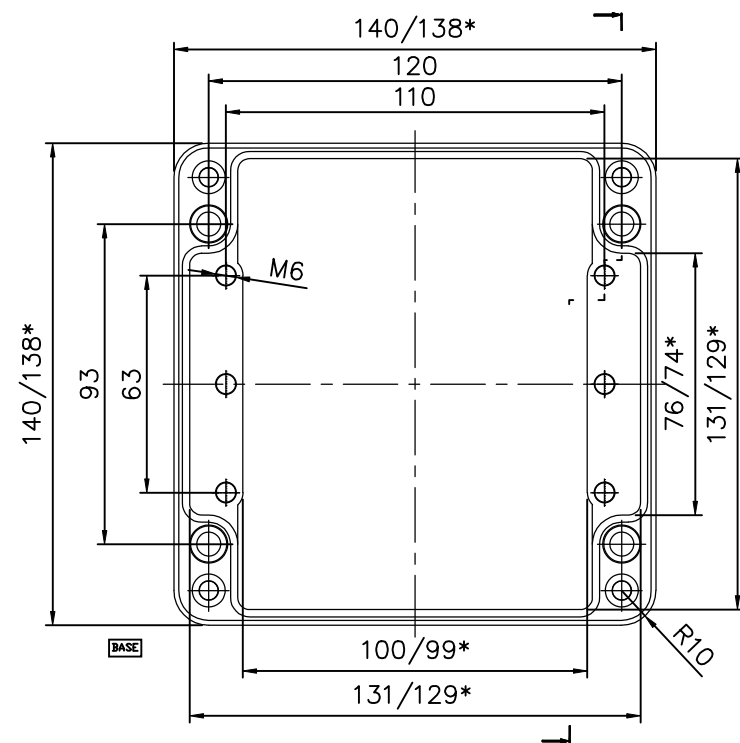


\*=Conical form tapering downwards  
Free dimensions-tolerance to GTA135DIN1688



ENCLOSURE BOX MEETS THE REQUIREMENTS OF  
ISIEC60529:2001  
OR  
EN60529  
FOR IP68 SEVERITY

COMPANY			
TOLERANCE	COMPONENT	DRAWN BY	DATE
	ENCLOSURE/BOX		26-12-2013
SCALE	ROUGHNESS	CHECKED BY	DATE
		-	0-0-00
		DRG.NO.	
	MATERIAL	SH.NO.	NO.OF SHEETS
	ALUMINIUM	00	00