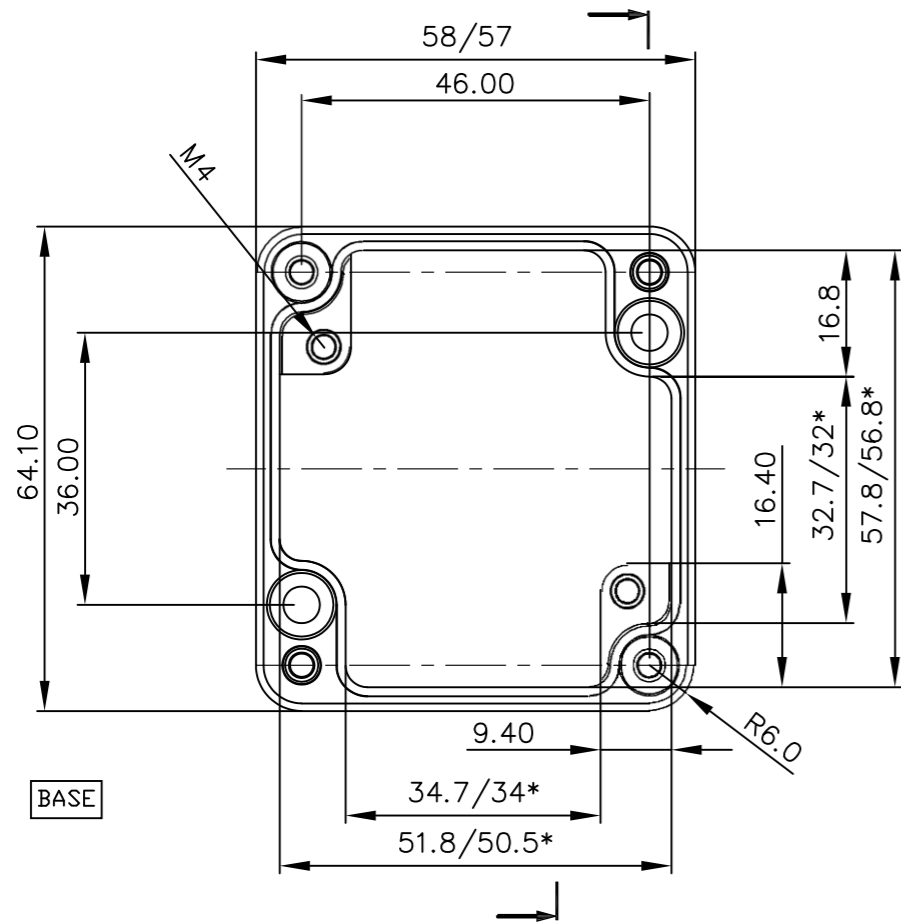
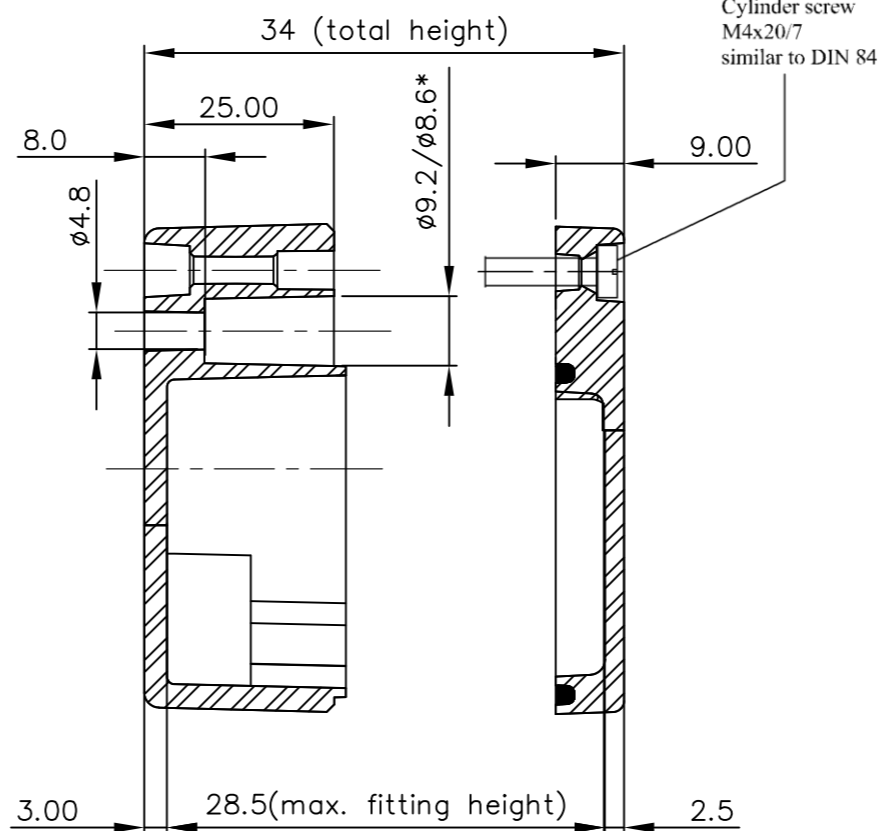


LID

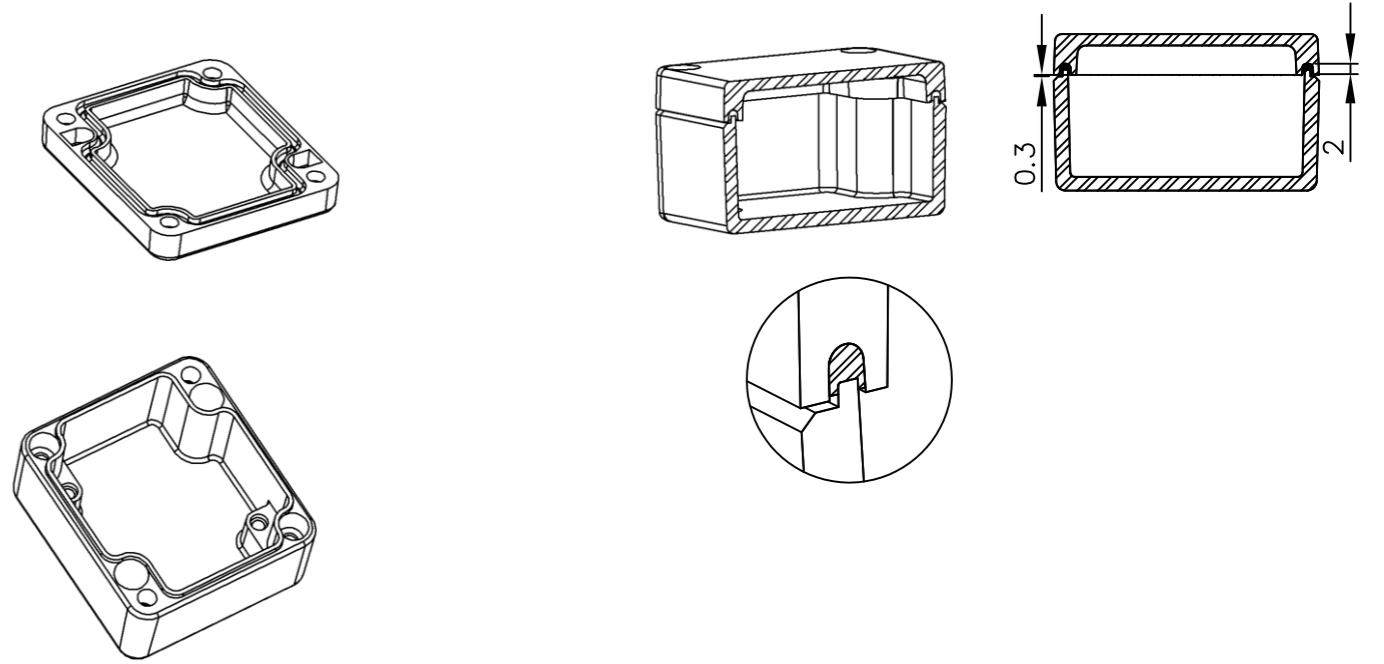


BASE



* = Conical form tapering downwards
Free dimensions-tolerance to GTA 13/5 DIN 1688

ENCLOSURE/BOX MEETS THE REQUIREMENTS OF
IS/IEC 60529:2001
OR
EN 60529
FOR IP 68 SEVERITY



TOLERANCE				COMPONENT		DRAWN BY		DATE	
				ENCLOSURE/BOX				17-07-2009	
SCALE				ROUGHNESS		CHECKED BY		DATE	
1:1						-		0-0-00	
				MATERIAL		SH.NO.		NO.OF SHEETS	
				ALUMINIUM		00		00	